

Float-Boost Charger



Function:

POWER HOUSE FCBC are designed to supply continuous power to the DC load and simultaneously charge the batteries connected. Input supply form 415 V. AC 3 Phase or 220 V. AC 1 Ph. is converted to regulated DC. The charger has two independent systems.

Normally the DC power is supplied to the load by the Float Charger. It also supplies trickle current to the battery to keep it healthy. If the charging current under Float Mode exceeds a set level, Boost charger is switched ON. It supplies Quick charging current to the battery. On battery reaching the set value, the Boost Charger is switched OFF.

Application:

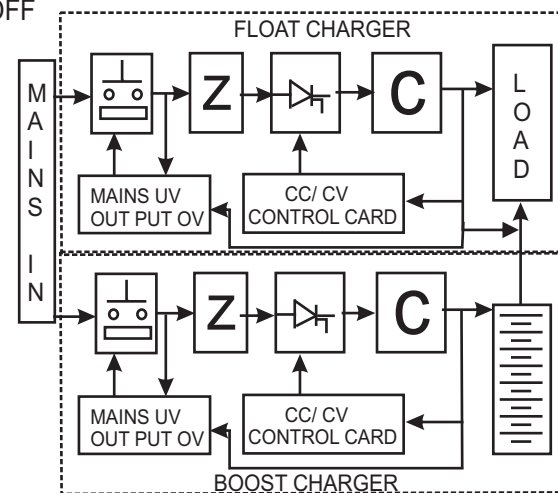
Float/ Boost chargers are must in Power Substations, Generating Stations, Telephone Exchanges etc. for control / monitoring systems, tripping circuits and supplying DC power source.

Specifications:

Input Voltage Range	: 415 V. AC +/- 10%, 3 phase, 50Hz
Nominal Output voltage	: 110-150 volt
Current	: 30 Amp DC
Efficiency	: Better than 80% at nominal Input & Output
Ripple	: Less than 3% RMS
Controls	: Voltage / Current setting potentiometer
Switches	: Float/Boost/Auto Selector, Charge ON / OFF
Meters	: DC meter for Displaying charging voltage DC meter for displaying charging current
Indication	: Mains ON Charger ON Float ON Boost ON DC Under Voltage Charger trip
Alarm	: For all fault conditions
Transformer	: Three Phase double copper wound impregnated natural air cooled
Insulation	: Class F
Humidity Temp.	: Operation (0-50degC)



BLOCK DIAGRAM



Ordering Information:

Mains supply Voltage
Load voltage and current
Battery type, Voltage and current
Any optional equipments required

BAID POWER SERVICES Pvt. Ltd.

152, Block-B, Lake Town, Kolkata - 700089, West Bengal, India
Tel: +91(033)2521 0322, +91(033)2534 3662, +91(033)4067 8112
Email: info@indiapowerhouse.net, Web: www.indiapowerhouse.com