

WATER LEVEL CONTROLLER



BWL21P a low cost, reliable, IC based water level controllers. It keep constant watch on the water level and switch **ON** or **OFF** the pump motors subject to availability of water at the reservoir and requirement level set at the upper tank.

Working Principle:

Series **BWL21P** is designed to operate with electrode type to sense the water level. Stainless Steel sensors with connector box are installed both at over head tank and reservoir.

No dry run of motor and No over flow of water:

Sensors installed in the reservoir senses the availability of water in it. The sensors at the overhead tank is preset with a level at which the pump is to operate and switch off on reaching upper level. The pump is switched on only if the water is available at the reservoir. The system ensures no over flow from the overhead tank and no motor burn out due to dry running .

AUTO/MANUAL/ OFF Selection:

The controller has AUTO/ MANUAL/ OFF selection switch on the front panel. Under manual mode pump can be switch on manually, if the switch is in center- Off position, motor remains OFF. This option may be required in emergencies and for cleaning up the electrodes or water tanks.

Protections:

The controllers has built in protections for

A) Over/ Under Voltage Protection

The controller protects the motor from running at low/ high voltage thus saves the motor burnout.

B)Over Load Protection:

Electronics based over load circuit switches off the motor if load drawn exceeds the pre-set value and thus protects the pump motor from Damages.

Indications:

The controller is provided with following LED indications:

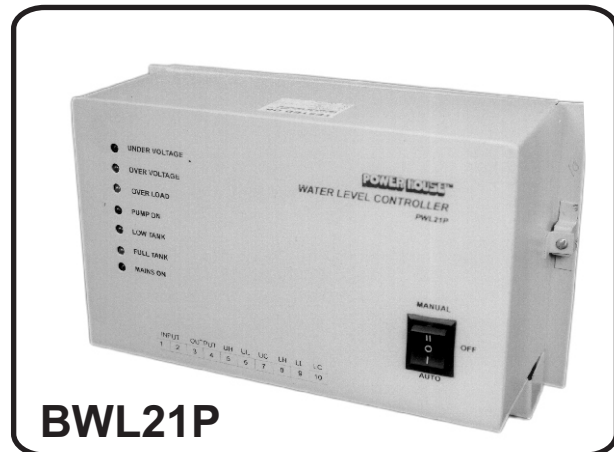
- | | |
|------------------|-----------------|
| A) UNDER VOLTAGE | B) OVER VOLTAGE |
| C) OVER LOAD | D) PUMP ON |
| E) LOW TANK | F) FULL TANK |
| G) MAINS ON | |

Housing:

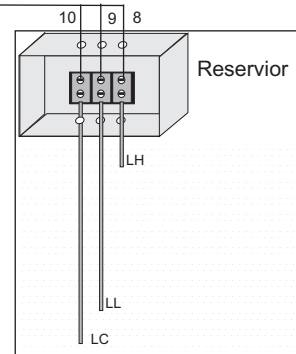
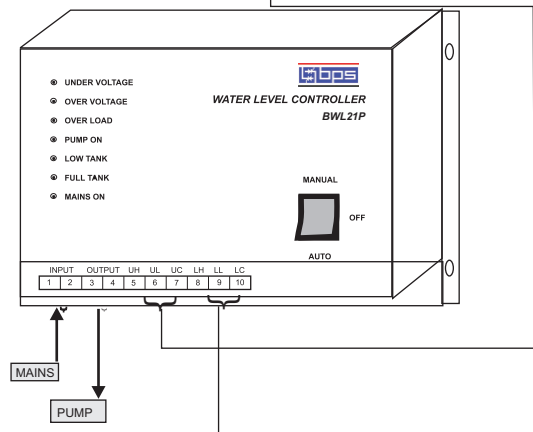
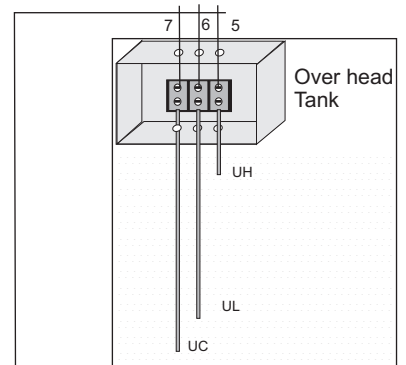
The controllers are housed in sheet steel enclosures finished with Power Coating paints. They are suitable for wall mounting.

Direct operation:

- Up to 2 H.P. 1 Ph. Phase
- On demand, higher rating can be supplied.



BWL21P



13-04-04